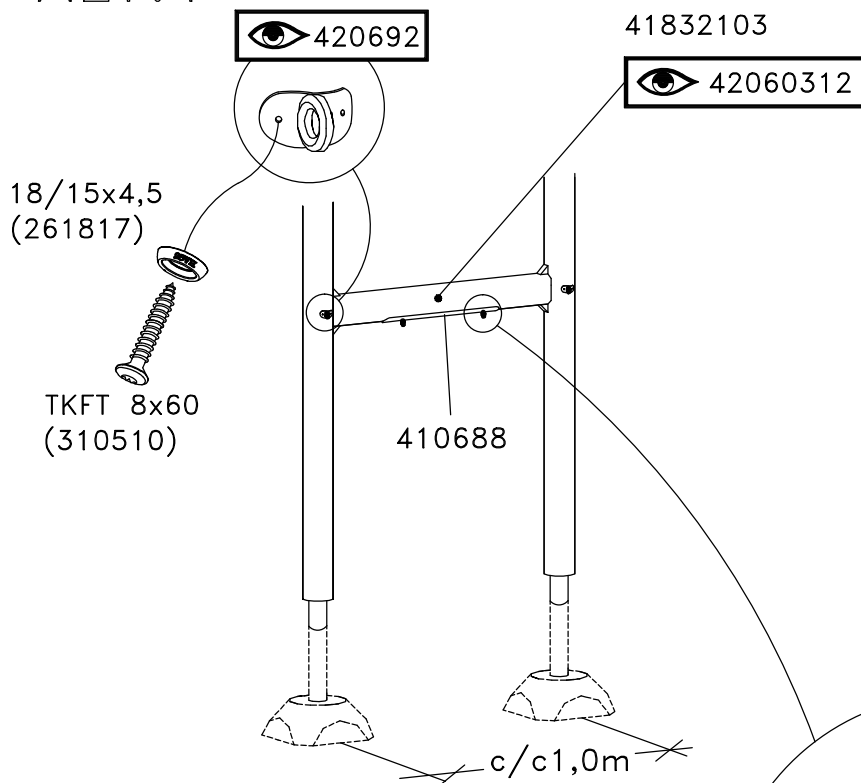
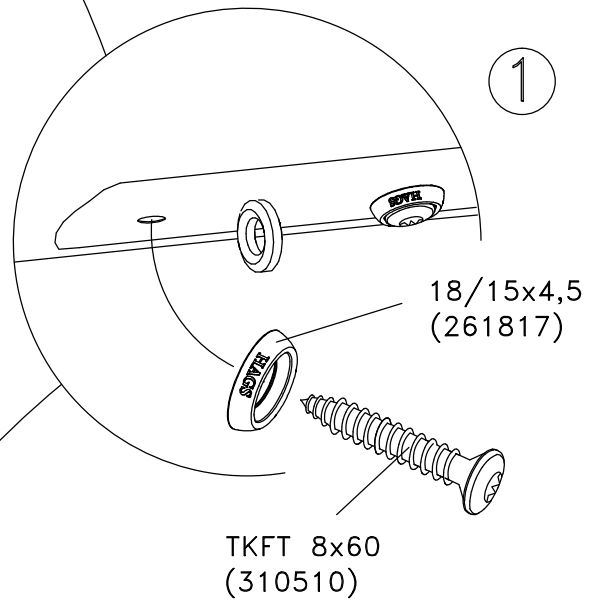
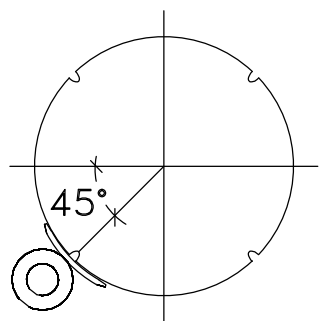


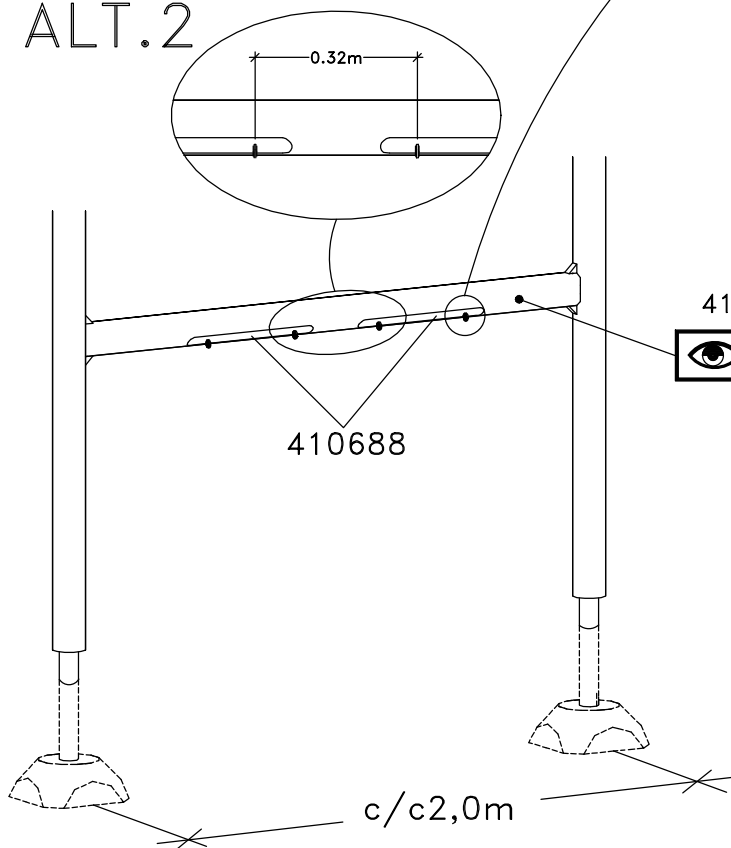
ALT.1



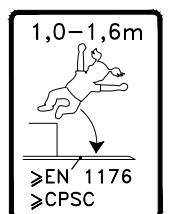
TYPE	HAGS NO.
	41070310
0,89m	41832103
1,89m	41834103
(2x) 0,62m	610071-02
	410688



ALT.2



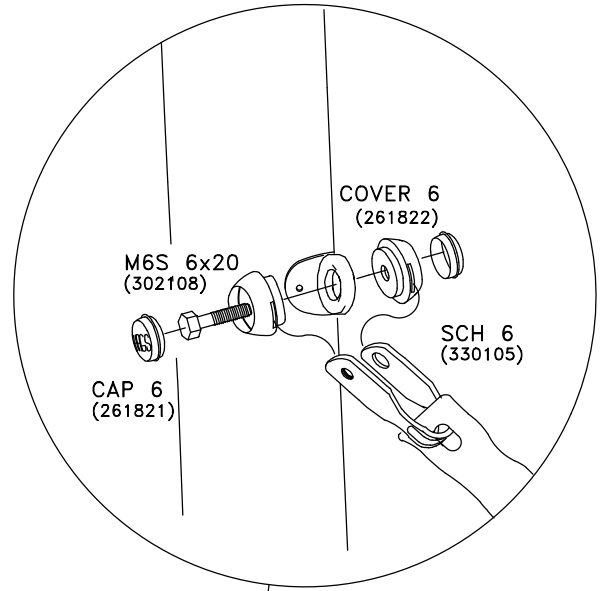
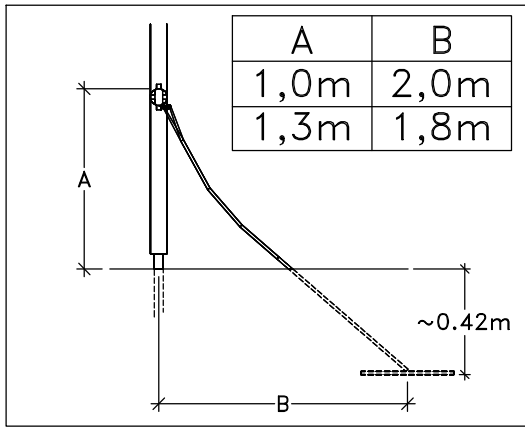
41834103
 42060312



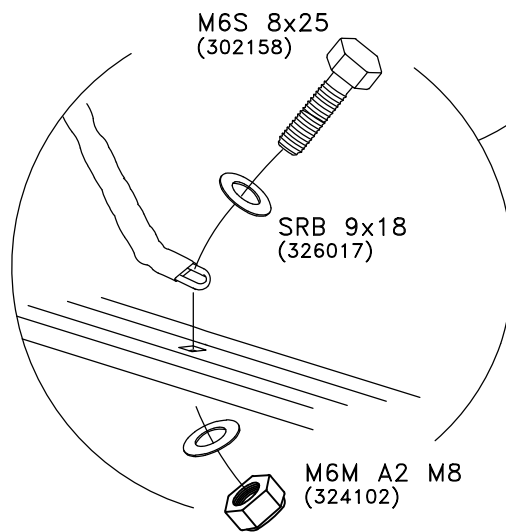
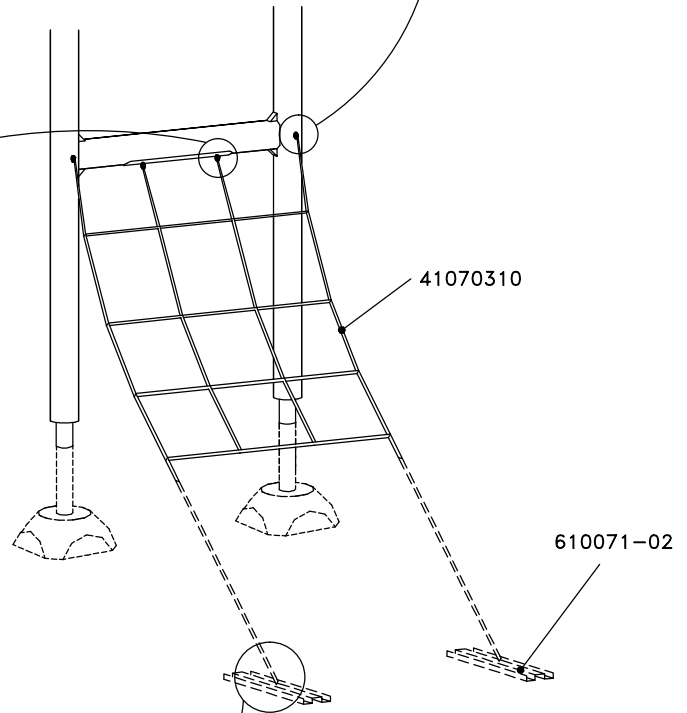
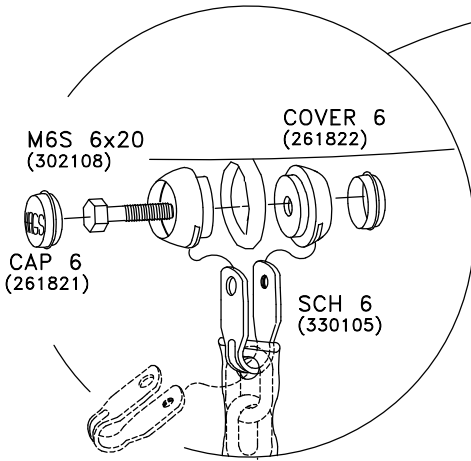
HAGS ANEBY, SWEDEN
 +46(0)380-47300
 www.hags.com

Scramble Net
 420 703 10
 1(2)

TJ LN 2017-08-16 0



2



HAGS ANEBY, SWEDEN
+46(0)380-47300
www.hags.com

Scramble Net
420 703 10
2(2)

TJ LN 2017-08-16 0