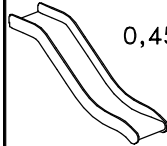

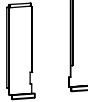
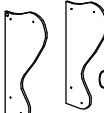
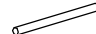




TYPE	HAGS.NO
 0,45x3,2m	132743
 0,89m	410601
 0,2x0,74m	135020-02 135021-02
 0,37x0,71m	135010-01 135011-01 135012-01 135013-01
 Ø25mm L=0,45m	153406
 L=1.04m	41006410
 0,62m	610071-02

A

Screw thr-forming
M8x25-8.8-(ISO7380)
(8008506)

Ø7,3
MAX 400rpm

B

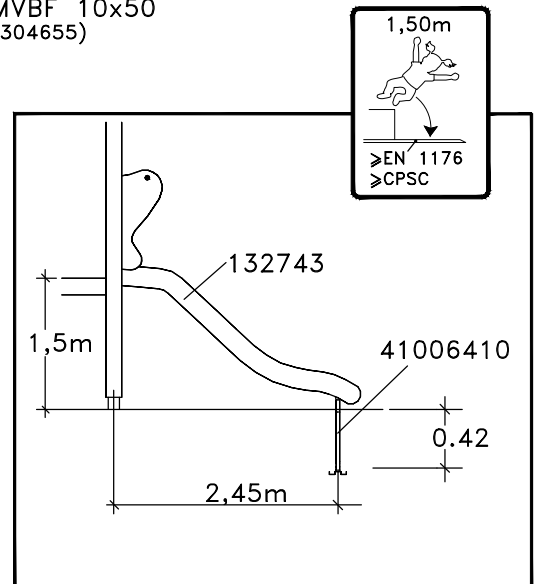
COVER 8 (261808) SRB 9x18 (326017) SRB 9x18 (326017)

M6S 8x40 (302161) CAP 8 (261806) M6M A2 M8 (324102)

C

COVER 10 (261814) SRB 11x24 (326018)

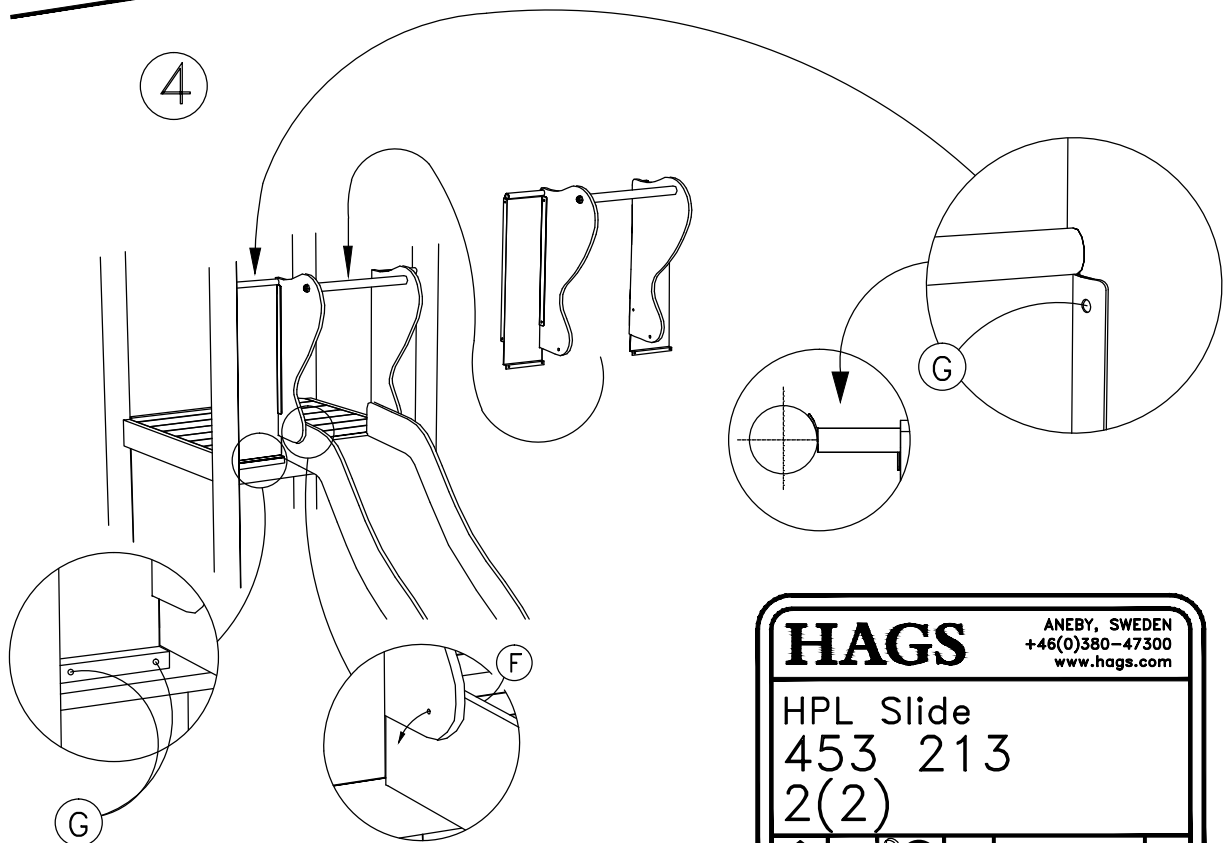
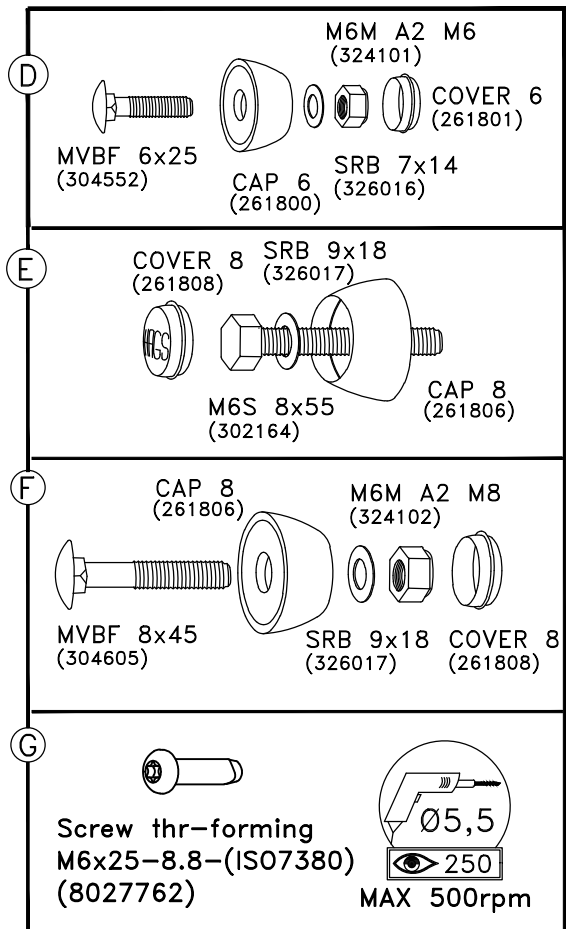
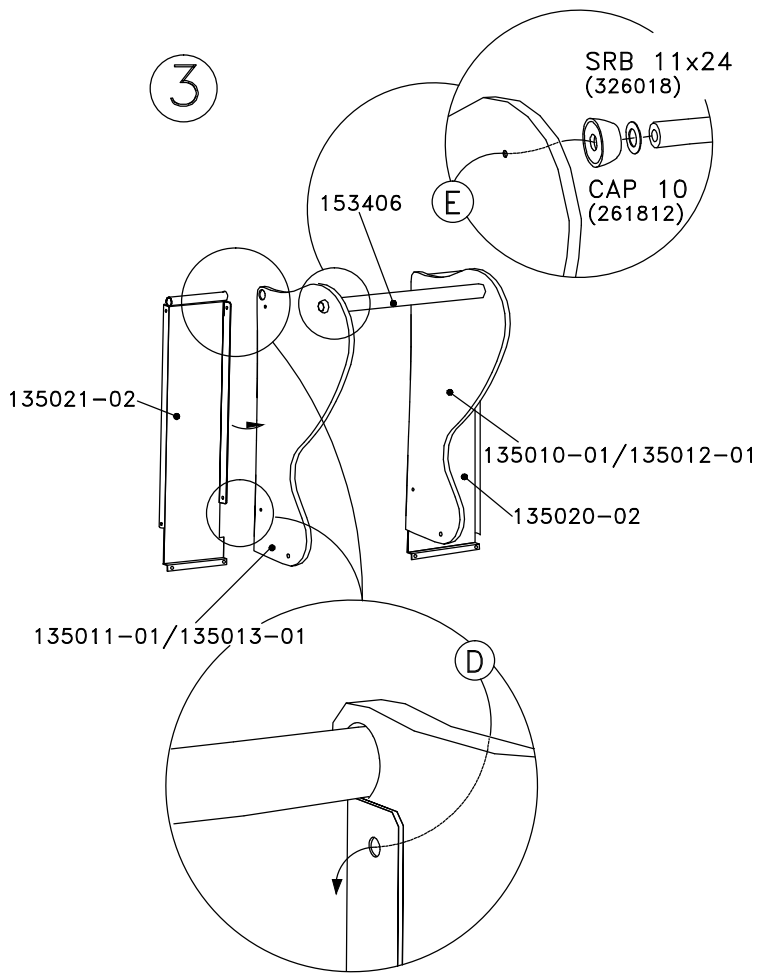
M6S 10x25 (302207) CAP 10 (261812)



HAGS ANEBY, SWEDEN
+46(0)380-47300
www.hags.com

HPL Slide
453 213
1(2)

TJ ToB 2017-05-24 | 5



HAGS ANEBY, SWEDEN
+46(0)380-47300
www.hags.com

HPL Slide
453 213
2(2)

TJ ToB 2017-05-24 5