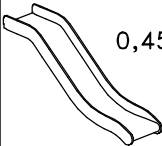

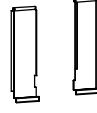
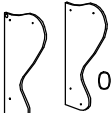
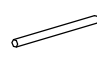
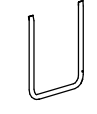




TYPE	HAGS.NO
 0,45x2,6m	132742
 0,89m	410601
 0,2x0,74m	135020-02 135021-02
 0,37x0,71m	135010-01 135011-01 135012-01 135013-01
 Ø25mm L=0,45m	153406
 L=0,56m	41006210
 0,62m	610071-02

A

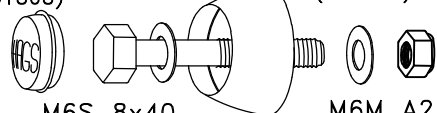


Screw thr-forming
M8x25-8.8-(ISO7380)
(8008506)

Ø7,3
250
MAX 400rpm

B

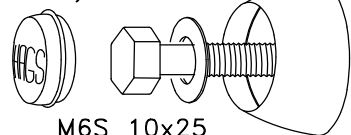
COVER 8 (261808) SRB 9x18 (326017) SRB 9x18 (326017)



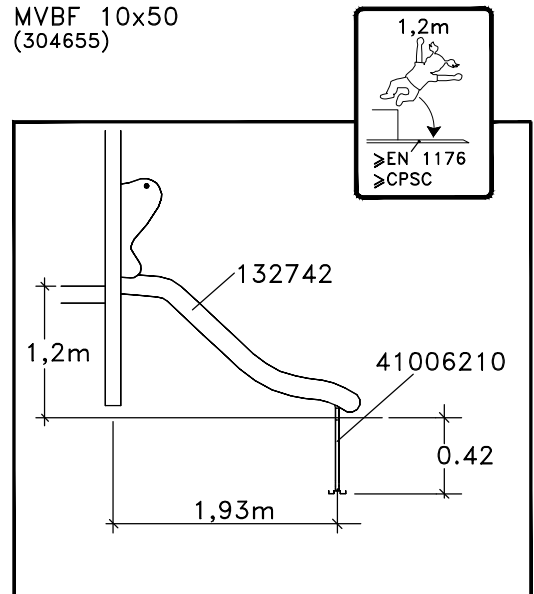
M6S 8x40 (302161) CAP 8 (261806) M6M A2 M8 (324102)

C

COVER 10 (261814) SRB 11x24 (326018)



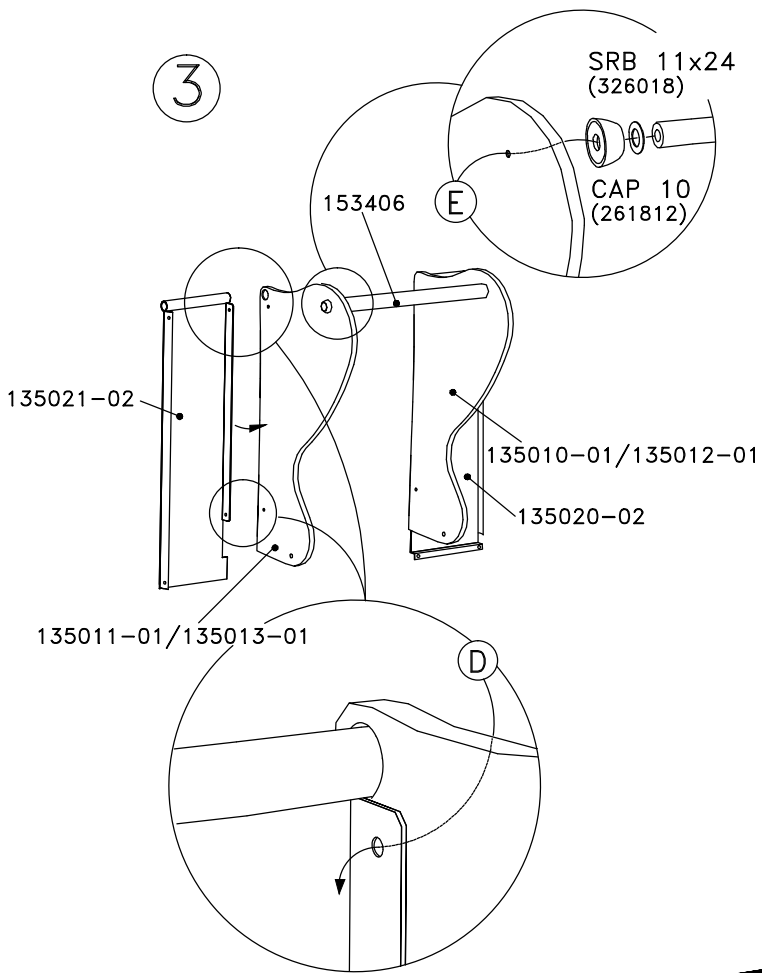
M6S 10x25 (302207) CAP 10 (261812)



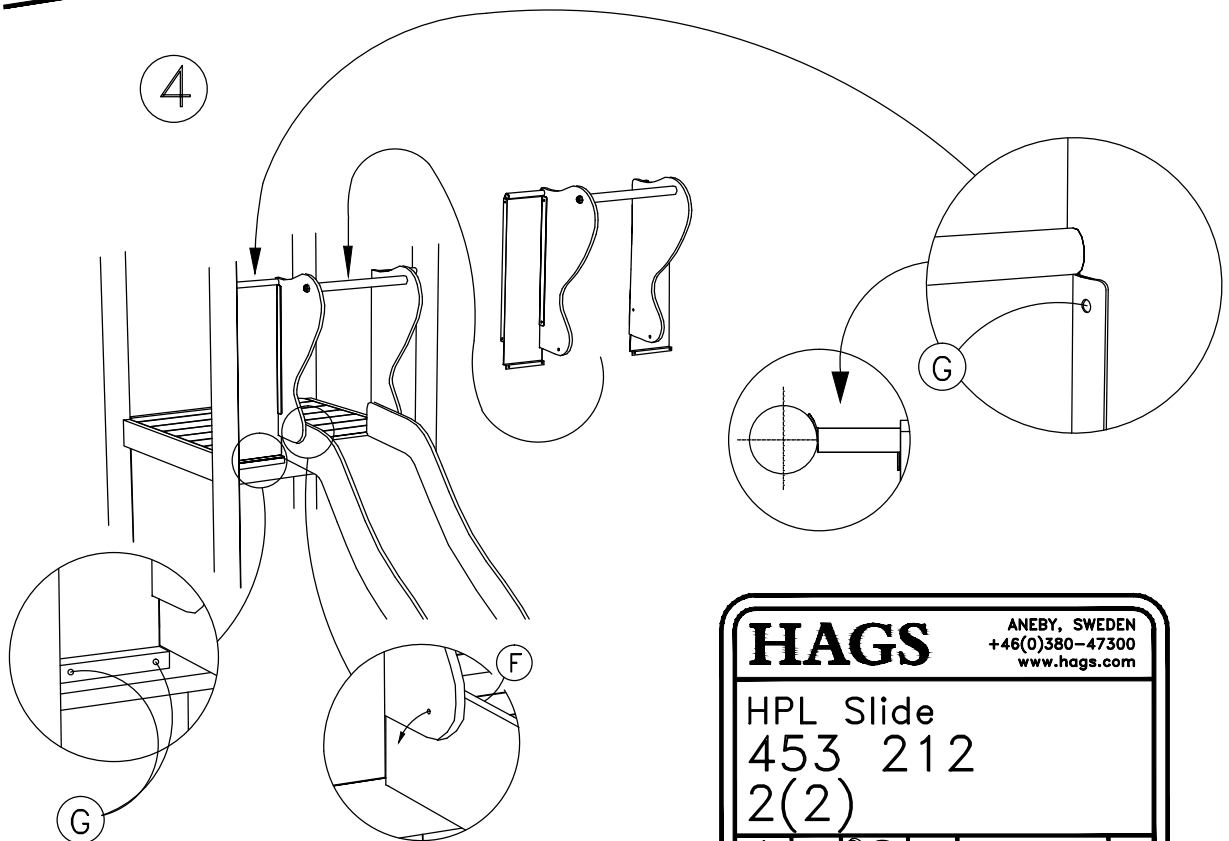
HAGS ANEBY, SWEDEN
+46(0)380-47300
www.hags.com

HPL Slide
453 212
1(2)

TJ ToB 2017-05-24 5



D	MVBF 6x25 (304552)	M6M A2 M6 (324101)	COVER 6 (261801)
E	COVER 8 (261808)	SRB 9x18 (326017)	CAP 6 (261800)
F	M6S 8x55 (302164)	CAP 8 (261806)	SRB 7x14 (326016)
G	MVBF 8x45 (304605)	M6M A2 M8 (324102)	COVER 8 (261808)
Screw thr-forming M6x25-8.8-(ISO7380) (8027762)		<p>Ø5,5 MAX 500rpm</p>	



HAGS	ANEBY, SWEDEN +46(0)380-47300 www.hags.com
HPL Slide 453 212 2(2)	
<p>ToB 2017-05-24 5</p>	